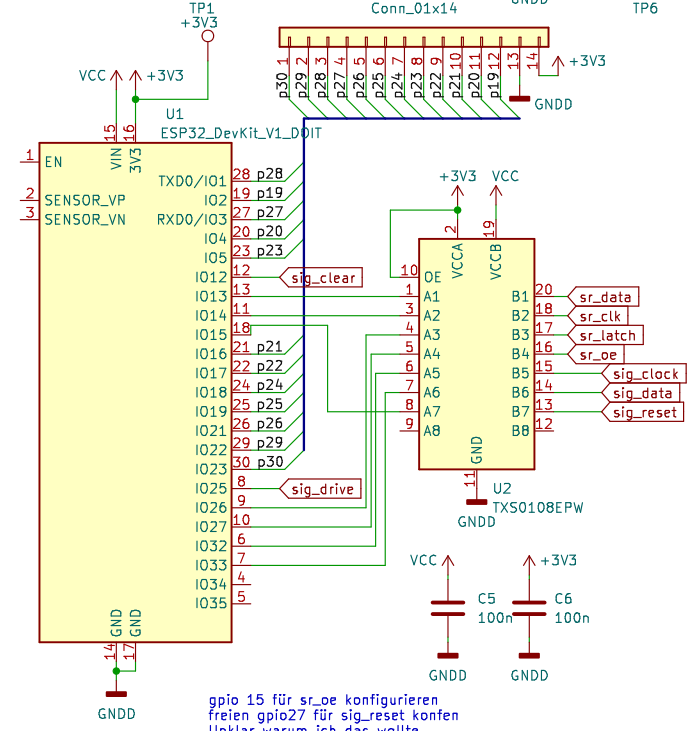
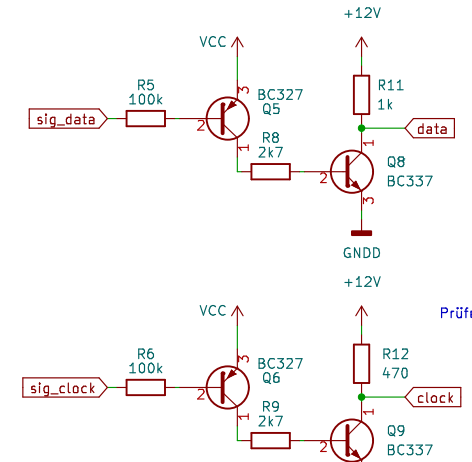
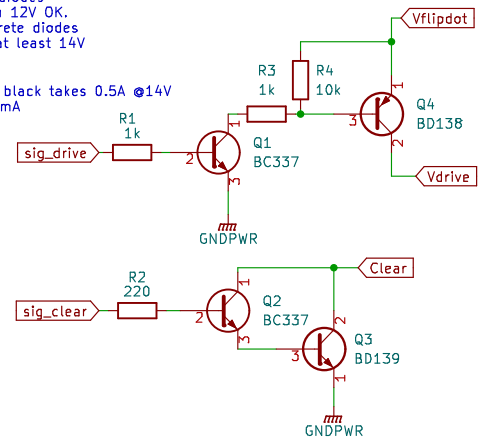
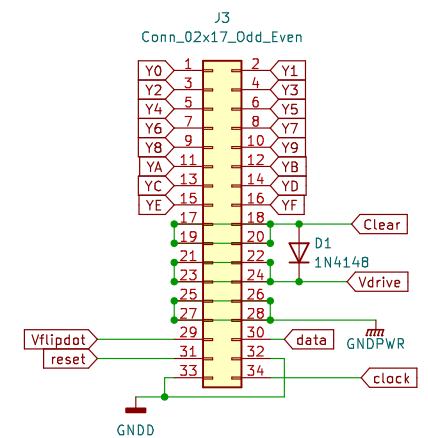
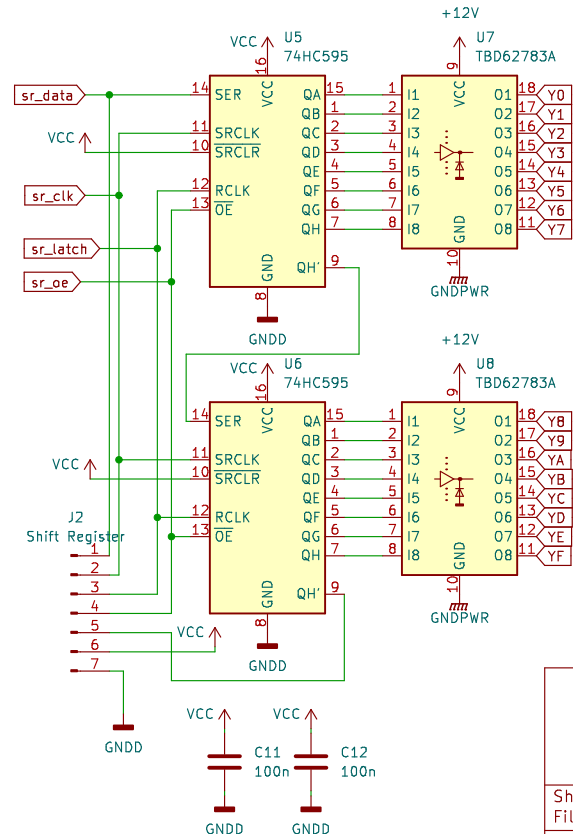


Vflipdot:  
 Boards "A16C25" with smd diodes  
 on pcb backside work with 12V OK.  
 Boards "M16C25" with discrete diodes  
 inside coil housing need at least 14V  
 to flip reliably.

Current: flipping one column to black takes 0.5A @14V  
 Max Current w/ 3 Modules: 700mA



gpio 15 für sr\_oe konfigurieren  
 freien gpio27 für sig\_reset konfen  
 Unklar warum ich das wollte.



Sheet: /	
File: driverboardAnnax37623.kicad_sch	
<b>Title:</b>	
Size: A4	Date:
KiCad E.D.A. kicad 6.0.11-2627ca5db0-126-ubuntu20.04.1	Rev: 1/1