

F

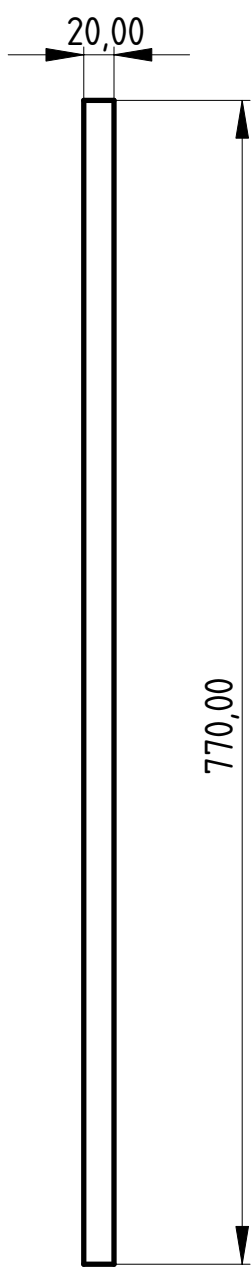
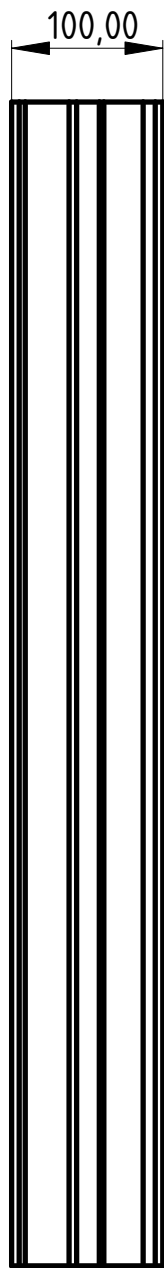
E

D

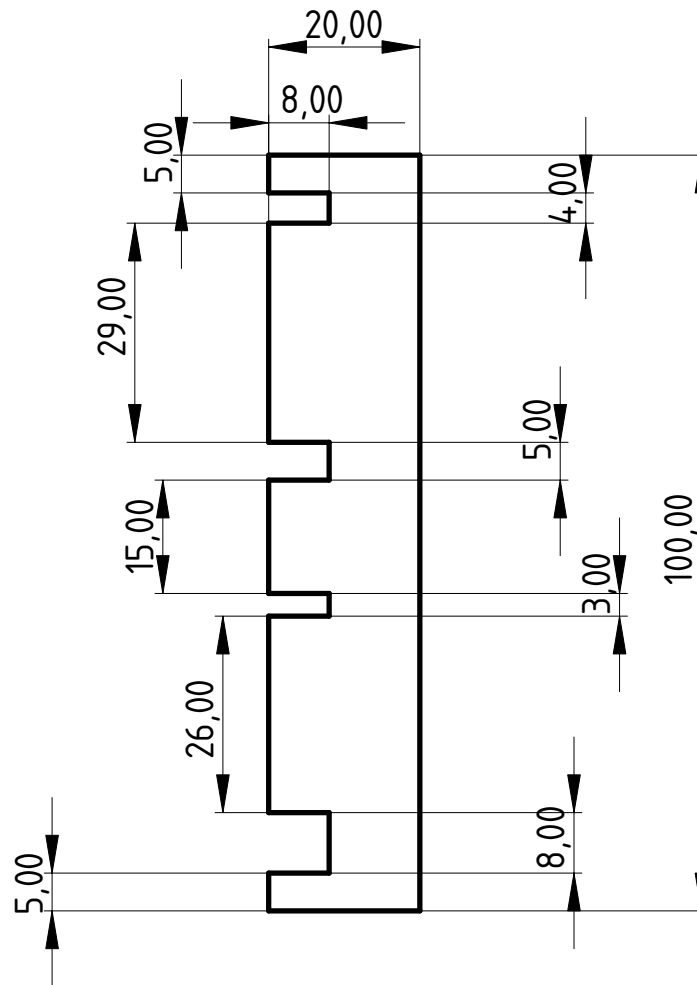
C

B


A



Scale= 1:5



Scale= 1:1

DESIGNED BY: Philipp Kramer		Flipdot Rahmen		G	—
DATE: 23.2.2023		Oben/Unten		F	—
SIZE A4		2 Stück		E	—
				D	—
SCALE	WEIGHT (kg)			DRAWING NUMBER 1	SHEET 1
This drawing is our property; it can't be reproduced or communicated without our written consent.				B	—
				A	—

F

E

D

4

3

2

1